



## AXUS Reveals **24 Bay YOTTA B** FC/SAS to SAS Series RAID Subsystem

Jan 23th, 2008



AXUS Microsystems Inc., today announced **FIRST IN THE MARKET** newly technology **24 Bay YOTTA B FC/SAS to SAS series** RAID Subsystems. The new **24 Bay** product comes with dual SAS or Fibre Channel host connections, **24 SAS/SATA-II** hard drives interface, and built with advanced technology RAID controller based on Intel IOP341

which delivers the extreme performance.

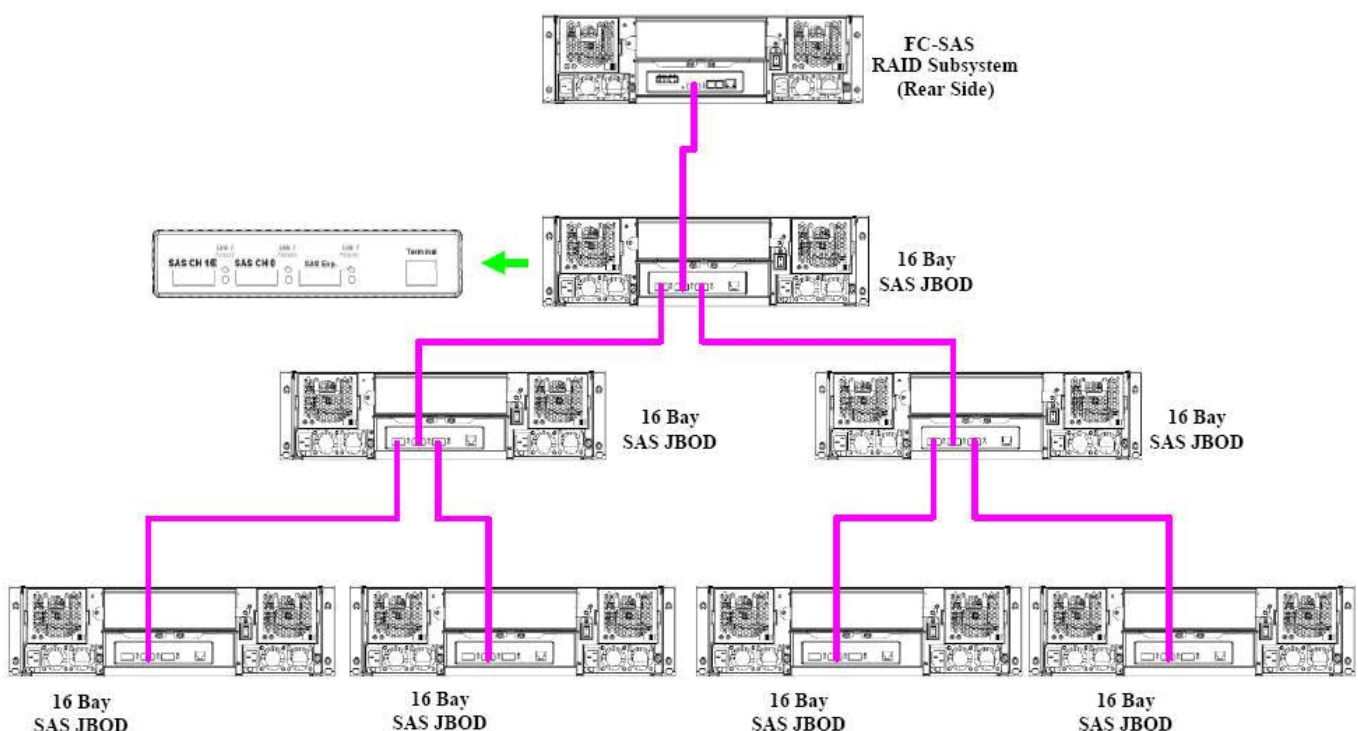
From 12 to 16 up to **24 Bay**, the ratio of price to each bay is getting much friendly as well as **24 Bay** Raid subsystem becomes more potential to catch market attention and fit in any part of storage solution.

### *Enhanced Highlight*

#### **SAS for Maximum Flexibility and Scalability**

SAS interface supports both SAS and SATA2 hard drives, meaning you decide how the **24 Bays** are populated either with SATA2 or SAS hard drives depending on your exact needs.

SAS expander port provides up to 128 devices through one or more SAS JBODs, making it possible to extend the capacity online. Only pay and use what you need in storage.



## Extreme Performance

New high-performance architecture of YOTTA B 24 Bay FC/SAS to SAS series RAID sub-system comes from New Intel® IOP341 I/O Processor providing IOP-based RAID 5 and RAID 6 hardware acceleration, 1 MB embedded SRAM on-chip, PCI-X and eight lane PCI-Express bus architecture, up to 2 GB 64-bit 533MHz ECC DDR2 SDRAM, Dual 128-bit/400 MHz internal buses, and over 12 GB/s internal bandwidth makes its high data throughput exceeding any existing RAID controller with SAS drive.

## Convenient Modular Designs

YOTTA RAID series has fully modular designs replaced all the cables with connectors. RAID controller, cooling fans, disk drives, and power supplies can be easily swapped to eliminate the down time of the RAID services. The modular design also minimizes headaches should you choose to stick cold spare parts on the shelf for emergencies, all swappable modular are interchangeable between all models within series.

## Feature

- Instant Availability/Background Initialization
- Array Roaming
- Online Capacity Expansion
- Online RAID Level and Stripe Size Migration
- RAID 6
- SNMP
- MPIO
- S.M.A.R.T
- Easy Management
- Hot-Swappable design
- EZSecure Lock

## Specification

|                     |  |                      |
|---------------------|--|----------------------|
| RAID Type           | SAS – SAS Series   | FC- SAS series       |
| Model number        | YB-24S3ES3   | YB-24S3EF4           |
| RAID CPU Engine     | Intel® IOP341 I/O Processor @800Mhz  |                      |
| Cache Memory        | Up to 2GB DDR2-533 SDRAM on one DIMM socket with ECC protection  |                      |
| RAID Features       | RAID levels 0, 1, 1E, 3, 5, 6, 30, 50, 60 & JBOD<br>Multiple RAID selections<br>Instant availability and background initialization<br>Online RAID level / stripe size migration<br>Online Array roaming<br>Online capacity expansion and RAID level migration simultaneously<br>Online volume set expansion<br>S.M.A.R.T.<br>Bad block auto-remapping<br>Hot spare and automatic hot drive rebuild |                      |
| Hot Swap Components | Power Supply, FAN, Disk Drive  |                      |
| System Type         | 4U Rack-Mounts   |                      |
| Host Interface      | Dual Mini SAS channels   | Dual 4Gb FC channels |

|                          |  |
|--------------------------|--|
| Disk Interface           | 24 SAS / SATA2 Disks   |
| JBOD Expansion Port      | One SAS JBOD Expansion Port can be attached to SAS JBOD for expanding capacity online  |
| Battery Backup Module    | Optional, supporting 72 hours battery backup time  |
| RAID Management          | Firmware embedded Web browser-based RAID manager via built-in 10/100 Ethernet port<br>Firmware embedded manger via RS-232 port<br>Firmware embedded manager through LCD control panel<br>Field-upgradeable firmware from flash ROM   |
| Monitors & Notifications | All system status can be monitored via Firmware-embedded Web browser-based RAID manager<br>System status indication through LCD, LED and alarm buzzer<br>All system events can be sent to multiple user via emails alerts<br>SNMP agent already embedded in the firmware allows remote to monitor events through LAN |
| Operating System         | OS independent and transparent   |
| Power Supply             | Redundant by Three 460W power modules with PFC feature, loading sharing type and cableless design  |
| Electrical               | AC Voltage 110-230 VAC/AC frequency 50-60Hz  |
| Temperature              | Operating temperature: 5 ~ 35 degree Celsius.<br>Non-Operating temperature: -40 ~ 60 degree Celsius  |
| Relative Humidity        | 20% ~ 80% non-condensing   |
| Dimension                | 446.4mm (W) x 562mm (D) x 4U   |
| Weight                   | 28.4 kgs (W/O HDD)   |

Specifications are subjects to change without notification. All trademarks or registered trademarks are properties of their respective owners.

#### Contact:

**AXUS Microsystems, Inc.**

**12F., No. 800, Chung-Cheng Rd., Chung-Ho City**

**Taipei Hsien, Taiwan, R.O.C.**

**Tel: +886-2-32348686 Fax: +886-2-32341515**

**<http://www.axus.com.tw>**

**email: sales@axus.com.tw**

#### About AXUS Microsystems Inc.

AXUS Microsystems Inc is the professional storage products manufacturer. The company specializes in RAID storage & SAN(storage area networking) solution at an affordable cost, while offering superior customer service and responsive technical support. Please visit the company's website [www.axus.com.tw](http://www.axus.com.tw) for further details.

