

Y3-12S6E/Y3-16S6 Series BBM Installation Procedures

Ver: 10

Contents

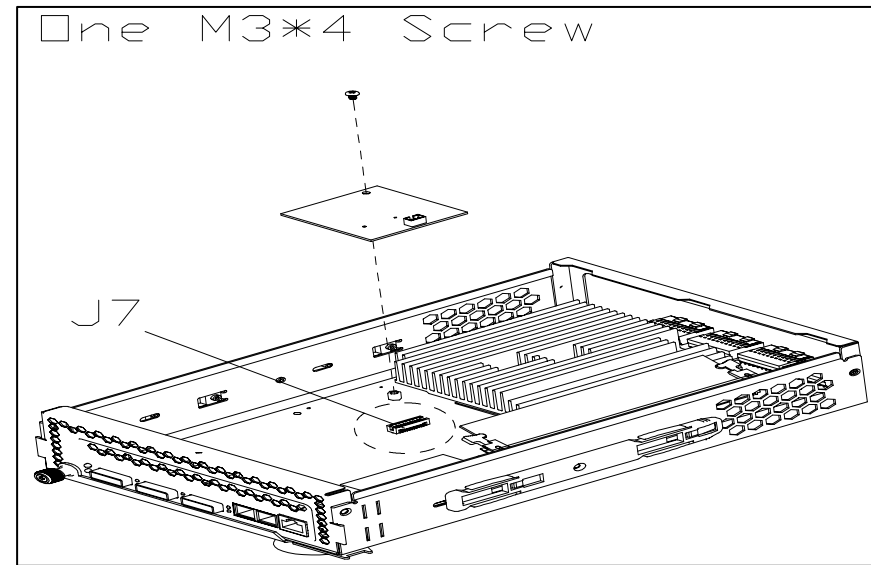
Below is the package content of BBM upgrade kit.
Be sure to check each item with the list below:

For Y3-12S6E / Y3-16S6

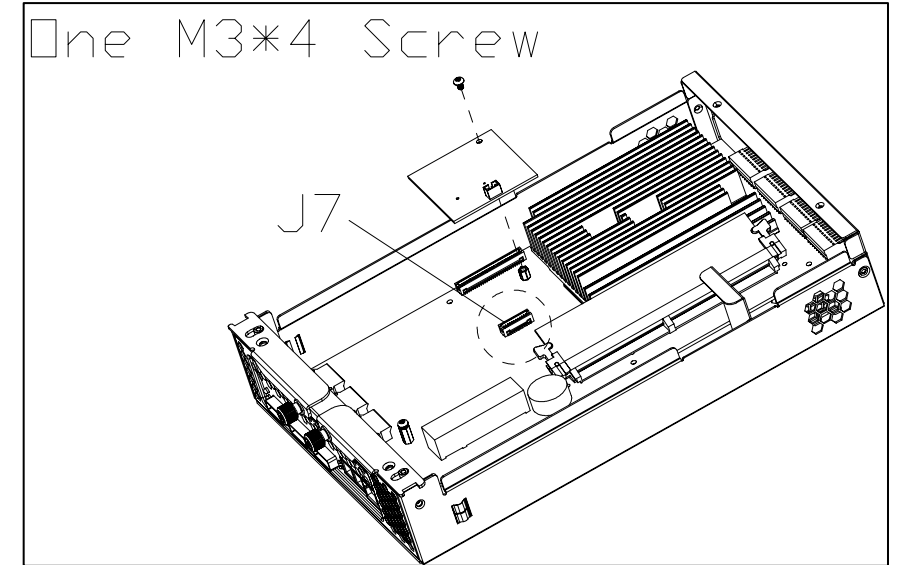
- 1 Battery pack x 1
- 2 Battery Board(ARC8006-2) x 1
- 3 34mm Stand-off x 3
- 4 M3*4 screw x 1
- 5 M3*5 screw x 3

BBM Installation procedure for 2U, 3U RAID System (12, 16 bay controller)_Y3-12S6E or Y3-16S6

- a. Use screw driver to release Controller's top cover screw and take off top cover
- b. Install Battery Board(ARC8006-2) pin connector into Controller J7 connector, J7 connector location is shown as in figure 1
- c. Install three 34mm Stand-off as shown in figure 2
- d. Insert Battery pack 3 pin connector into Battery Board (ARC8006-2) JA2 connector, JA2 location shown as in figure 3
- e. Install Battery pack on stand-off as in figure 2
- f. Put back the top cover of the Controller module

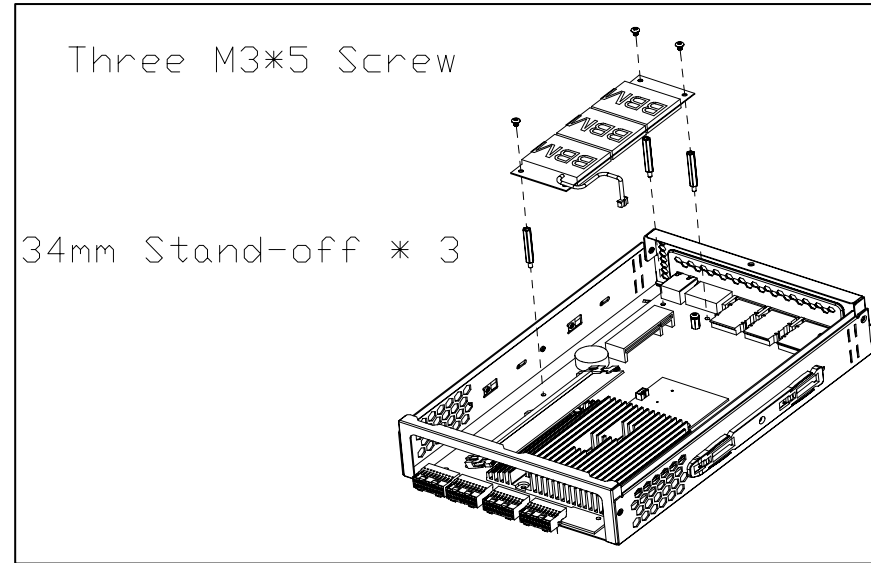


Y3-12S6E

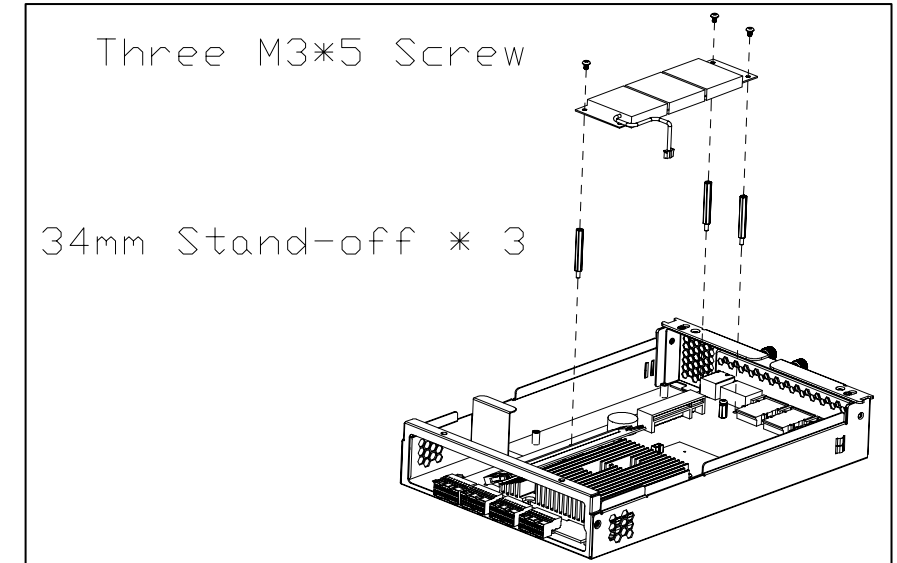


Y3-16S6

Figure 1: Assemble Battery Board with Controller module J7 Connector

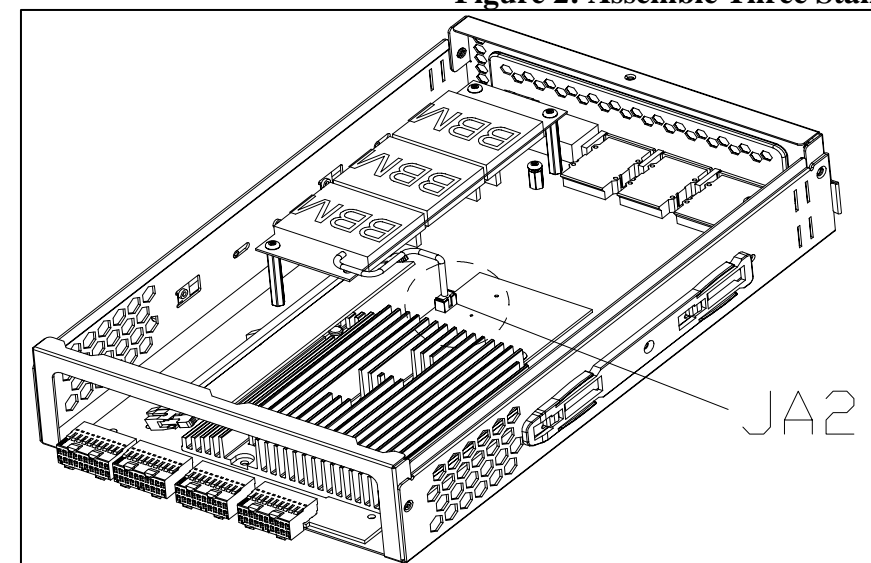


Y3-12S6E

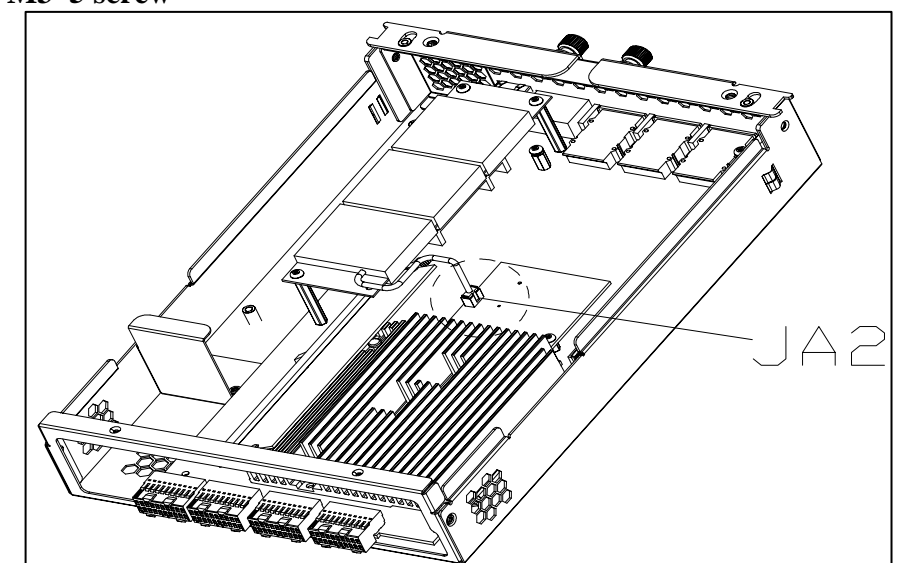


Y3-16S6

Figure 2: Assemble Three Stand-off and M3*5 screw



Y3-12S6E



Y3-16S6

Figure 3: Assemble Battery adapter Cable with Battery Board JA2 Connector

Y3-12S6E Tower Series BBM Installation Procedures

Ver: 10

Contents

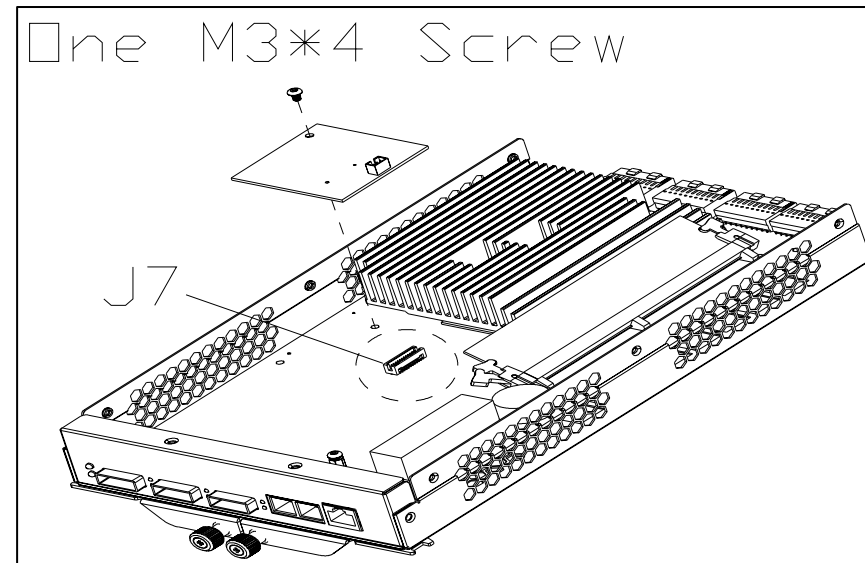
Below is the package content of BBM upgrade kit.
Be sure to check each item with the list below:

For Y3-12S6E Tower

- 1 Battery pack x 1
- 2 Battery Board(ARC8006-2) x 1
- 3 22mm Stand-off x 3
- 4 M3*4 screw x 1
- 5 M3*5 screw x 3

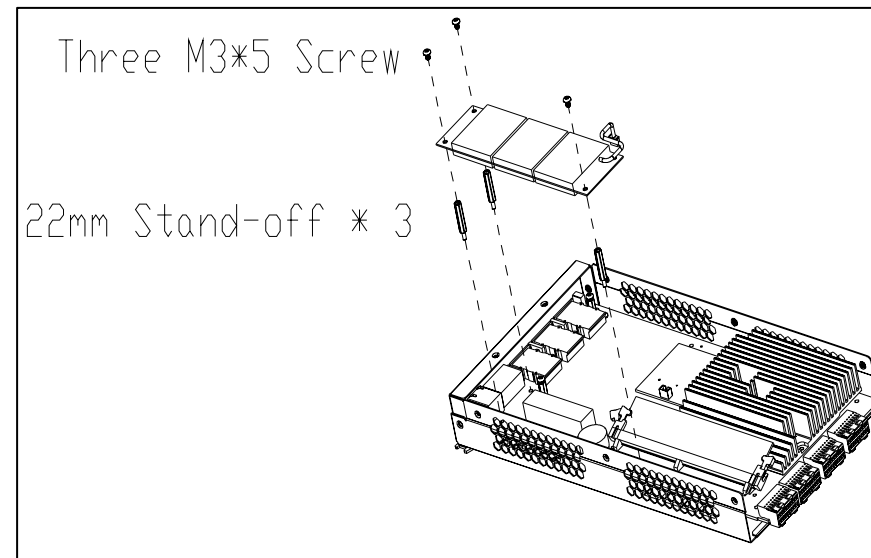
BBM Installation procedure for 2U RAID System (12 bay controller)_Y3-12S6E Tower

- a. Use screw driver to release Controller's top cover screw and take off top cover
- b. Install Battery Board(ARC8006-2) pin connector into Controller J7 connector, J7 connector location is shown as in figure 1
- c. Install three 22mm Stand-off as shown in figure 2
- d. Insert Battery pack 3 pin connector into Battery Board (ARC8006-2) JA2 connector, JA2 location shown as in figure 3
- e. Install Battery pack on stand-off as in figure 2
- f. Put back the top cover of the Controller module



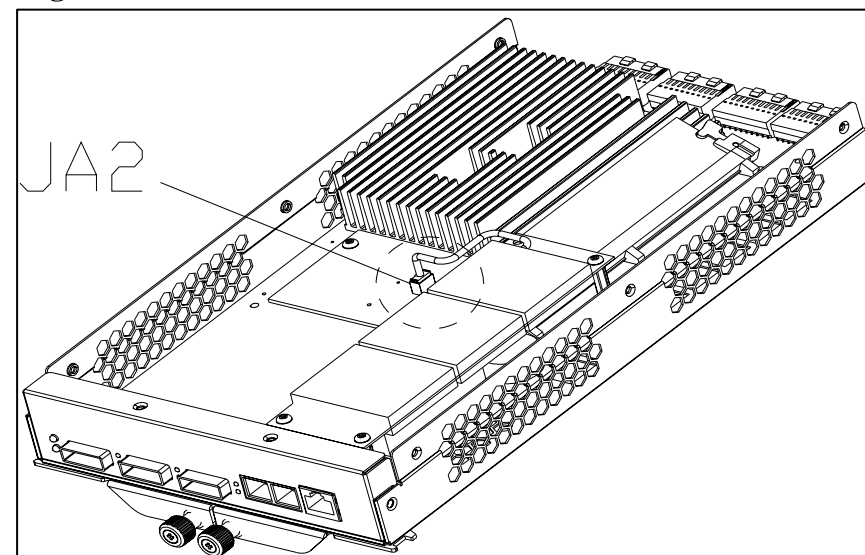
Y3-12S6E Tower

Figure 1: Assemble Battery Board with Controller module J7 Connector



Y3-12S6E Tower

Figure 2: Assemble Three Stand-off and M3*5 screw



Y3-12S6E Tower

Figure 3: Assemble Battery adapter Cable with Battery Board JA2 Connector

Y3-12S6/Y3-24S6 Series BBM Installation Procedures

Ver: 10

Contents

Below is the package content of BBM upgrade kit.
Be sure to check each item with the list below:

For Y3-12S6 / Y3-24S6

- 1 Battery pack x 1
- 2 Battery Board(ARC8006-2) x 1
- 3 Battery module bracket x 1
- 4 M3*4 screw x 1

BBM Installation procedure for 2U,4U RAID System

(12 bay or 24 bay controller)_For Y3-12S6 or Y3-24S6

(Skip step a&b if the BBM received is already installed on bracket)

- a. Insert Battery pack 3 pin connector into Battery adapter board JP3 connector as shown in figure 1
 - b. Install Battery pack on 2U,4U Battery module bracket as figure 1
- Caution: Do not attempt to remove the plastic wrap of the battery pack or the cable to prevent any damage to components**
- c. Install Battery Board(ARC8006-2) pin connector into Controller J7 connector, J7 connector location is shown as in figure 2
 - d. Connect Battery Board(ARC8006-2) cable from JA2 connector to JP3 connector as shown in figure 3
 - e. Set cable between memory connector and lithium battery connector as shown in figure 3
 - f. Use screw driver to release one screw(Y3-12S6)/two screw(Y3-24S6) and take off BBM rear cover as figure 4
 - g. Insert Battery module into BBM rail and fasten the screws as figure 5

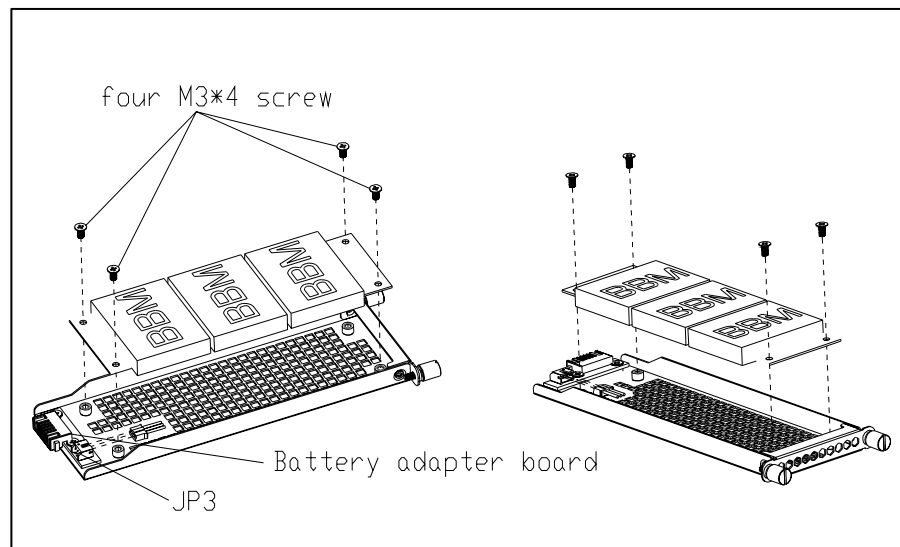
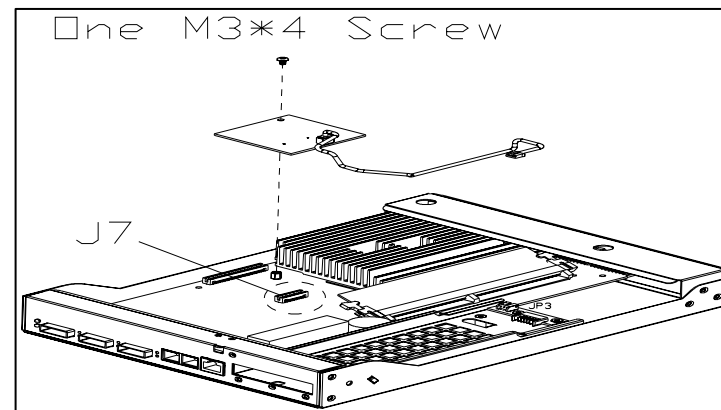
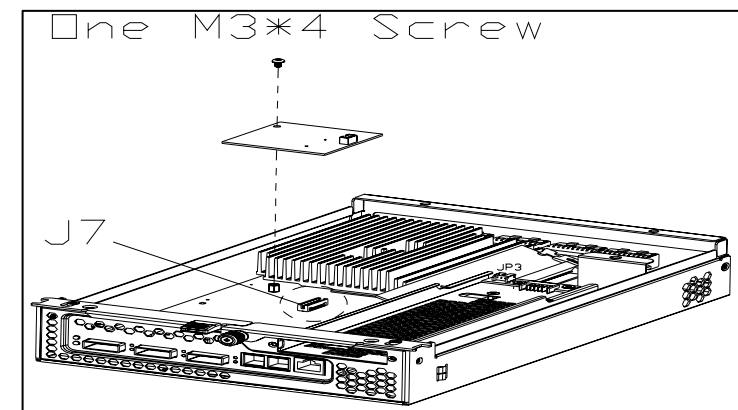


Figure 1: Assemble Battery pack with Battery module bracket

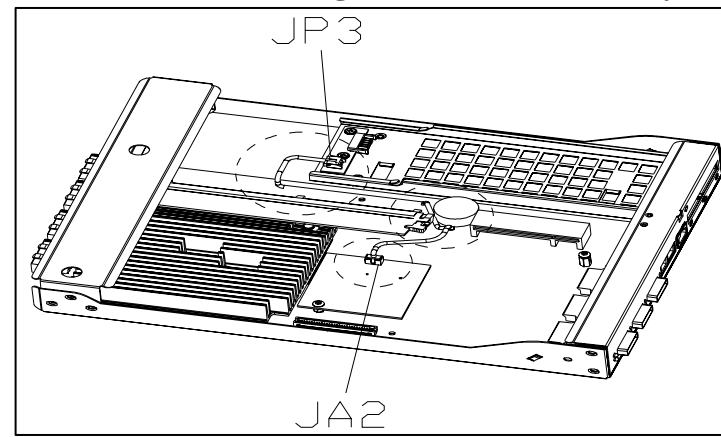


Y3-12S6

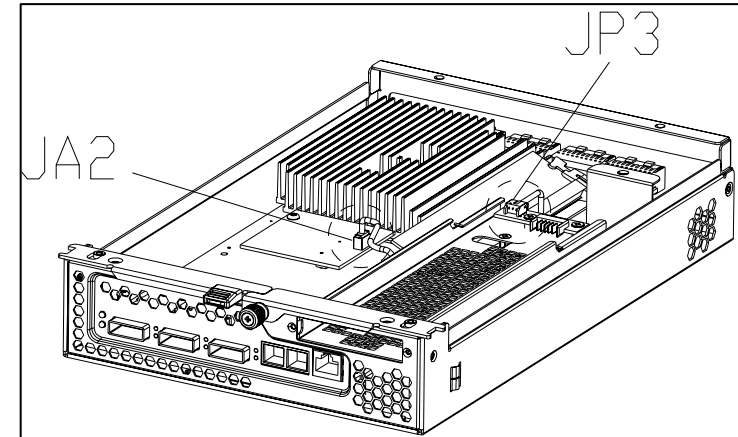


Y3-24S6S

Figure 2: Assemble Battery Board with Controller module J7 Connector

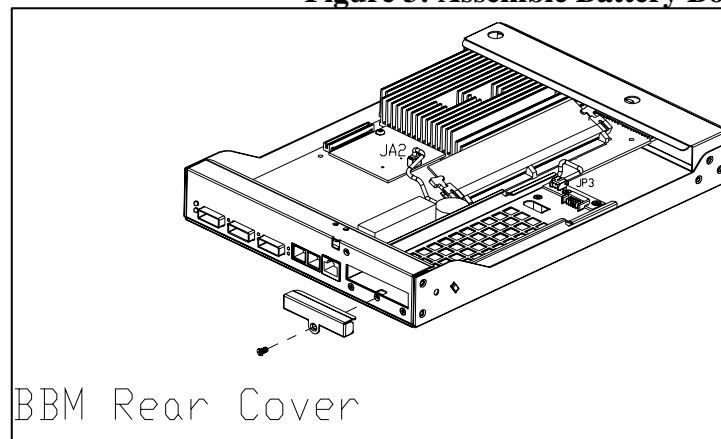


Y3-12S6

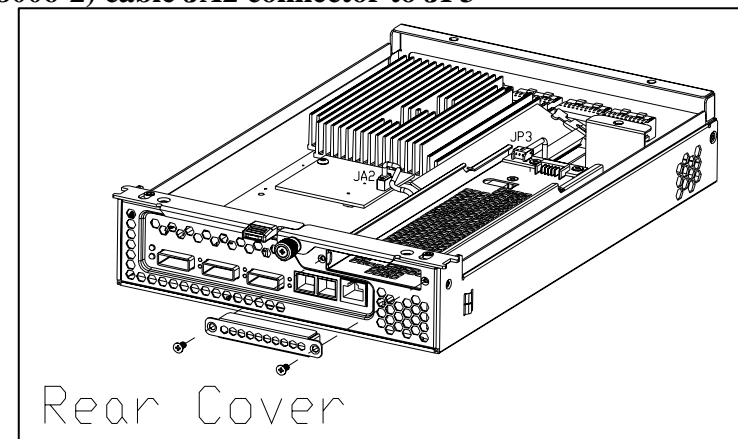


Y3-24S6

Figure 3: Assemble Battery Board(ARC8006-2) cable JA2 connector to JP3

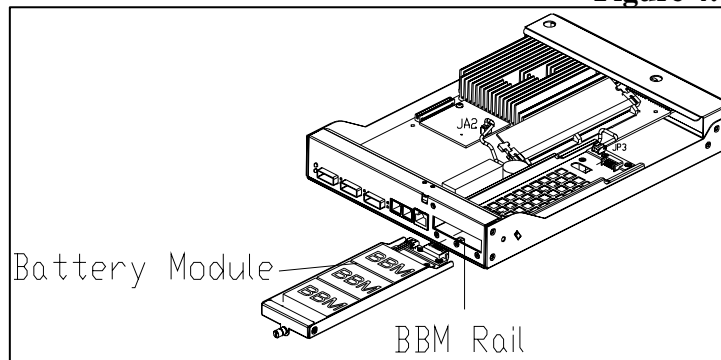


Y3-12S6S

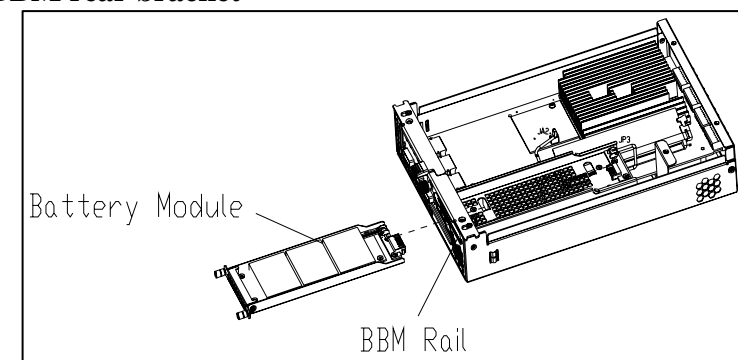


Y3-24S6

Figure 4: Remove BBM rear bracket



Y3-12S6



Y3-24S6

Figure 5: Insert Battery module into BBM rail